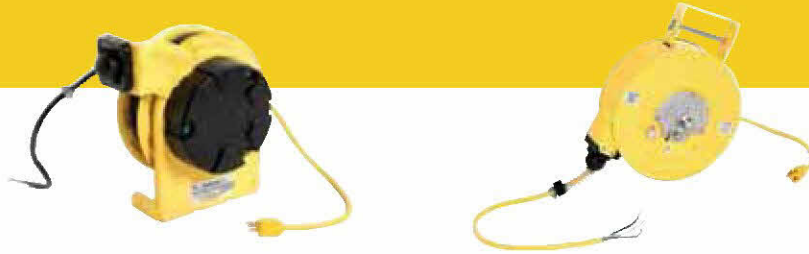


STANDARD-DUTY CORD REELS



STANDARD-DUTY CORD REELS ARE RENOWNED FOR THEIR EXCEPTIONAL PERFORMANCE, LONG SERVICE LIFE AND EASE OF MAINTENANCE IN DRY INDOOR APPLICATIONS

Standard-duty cord reels are available in swing- or rigid-mount versions with a variety of options and accessories. Constructed with precision electrical and mechanical components, standard-duty cord reels are ideal for keeping hand lamps and power boxes accessible and out of the way. These reels are suitable for use with portable-power supplies, mobile-material-handling equipment and portable lighting.

FEATURES AND BENEFITS

Holds up to 5.4m (50') of standard-duty cord

Increases flexibility for higher ceiling heights or longer distance use

Adjustable spring tension

Modifies tension depending on weight of accessory

Built-in ratchet locks

Allows user to position cord at desired location

APPLICATIONS

- Hospitals
- Maintenance shops
- Technical school centers
- Work benches

Cord Reels Standard Duty



980/990/997

945-3

Features and Benefits

- Powder coated Steel construction provides durability
- Swing mount or rigid mount, enclosed or open drum to fit any application
- Simple tension adjustment and ratchet disengagement make it simple to customize for the job

Reference Information

UL File No.: E22769
CSA File No.: LR29921 (only 997)



Electrical

NEMA Configuration: NEMA 5-15 Plug
Voltage: 120 V AC

Physical

Construction: All reels include 2 ft primary cord with molded plug

Working End: Flying leads and a ball stop

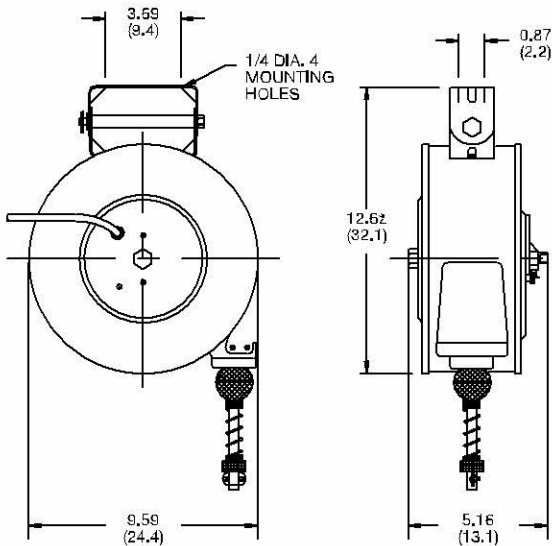
Ratchet Lock: Easily disengaged as needed

Tension: Easily adjusted

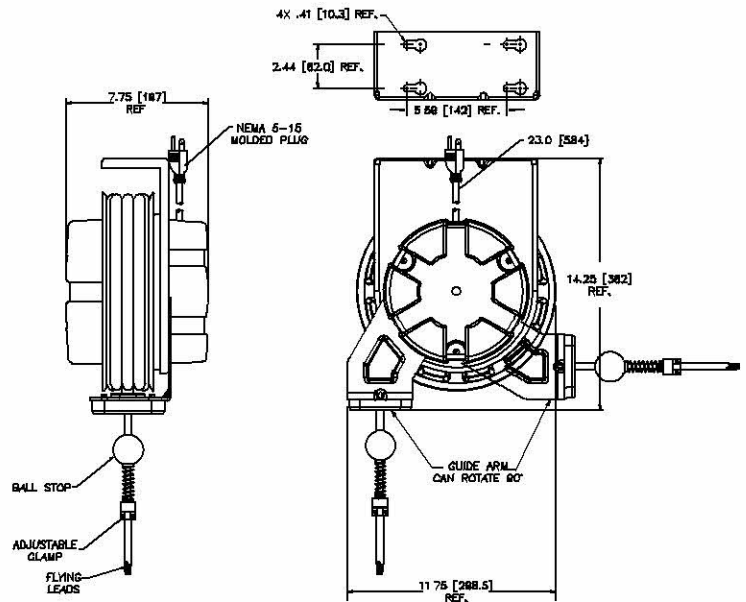
Retraction Weight: Up to 3 lb
Environmental
NEMA Rating: NEMA 1

Cord Type	Current	Cord Length	Construction	Mounting Style	Retraction Weight	Woodhead No.	Order No.
16/3 SJTOW	6A	10.67m (35.0')	Steel	Swinging	0.9kg (2.0 lb)	945-3	130090-0009
16/3 SJTOW	8A	15.24m (50.0')	Steel/Polycarbonate	Rigid	1.4kg (3.0 lb)	980	130091-0013
14/3 SJTOW	11A	13.72m (45.0')	Steel/Polycarbonate	Rigid	1.4kg (3.0 lb)	990	130091-0045
12/3 SJTOW	15A	10.67m (35.0')	Steel/Polycarbonate	Rigid	1.4kg (3.0 lb)	997	130091-0085

Standard Duty Cord Reel 945-3 Dimensions



Standard Duty Cord Reel 980/990/997 Dimensions



Cord Reels Standard Duty With Fluorescent Lights 13W

B

Reels



Features and Benefits

- Powder coated Steel construction provides durability
- Swing mount or rigid mount, enclosed or open drum to fit any application
- Simple tension adjustment and ratchet disengagement make it simple to customize for the job
- Rubber handle and butyrate guard mean a durable light and non-conductive guard
- Bulb included in all models and auto-switch available for ultimate convenience

Reference Information

UL File No.: E22769 (except auto-switch versions)
CSA File No.: LR29921 (only 980-83, 980-86, 990-83, 990-86)



Electrical



NEMA Configuration: NEMA 5-15 plug
Voltage: 120 V AC

Physical

Construction: All reels include 2 ft primary cord with molded plug
Working End: Includes a ball stop and light, bulb included
Ratchet Lock: Easily disengaged as needed
Tension: Easily adjusted

Environmental

NEMA Rating: NEMA 1

Cord Reel	Base Reel		Cord Type	Cord Length	Ballast Location	Switch Location	Cord Reel with Light	
	Woodhead No.	Order No.					Woodhead No.	Order No.
	945-3	130090-0009	16/3 SJTOW	10.67m (35.0')	Handle	Handle	945-3-86	130090-0010
	980	130091-0013	16/3 SJTOW	15.24m (50.0')	Primary cord	Handle	980-83	130091-0027
			16/3 SJTOW	15.24m (50.0')	Handle	Handle	980-86	130091-0028
			16/3 SJTOW	15.24m (50.0')	Primary cord	Auto switch on reel	980A-83	130091-0030
	990	130091-0045	14/3 SJTOW	13.72m (45.0')	Primary cord	Handle	990-83	130091-0061
			14/3 SJTOW	13.72m (45.0')	Handle	Handle	990-86	130091-0062
			14/3 SJTOW	13.72m (45.0')	Primary cord	Auto switch on reel	990A-83	130091-0064

